



Industries Émile Lachance Itée  
424, route 279  
Saint-Damien (Québec)  
Canada G0R 2Y0

# LACHANCE

## Tamper Evident INDUSTRIAL 48 SERIES

### 2048

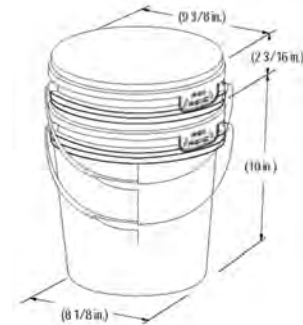
TAMPER EVIDENT (2 gal.)

Pail 61995

Lid 62330 (Snap-on)

Lid 62344 (non-hermetic)

CAPACITY		PACKAGING	
litres	US gal.	qty/BDL	qty/PLT
		324	648
		qty/CTN	qty/PLT
8.59	2.27	180	2,880
8.59	2.27	180	2,880



### 2548

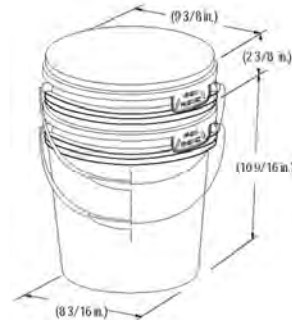
TAMPER EVIDENT (2.5 gal.)

Pail 61998

Lid 62330 (Snap-on)

Lid 62344 (non-hermetic)

CAPACITY		PACKAGING	
litres	US gal.	qty/BDL	qty/PLT
		270	540
		qty/CTN	qty/PLT
9.43	2.49	180	2,880
9.43	2.49	180	2,880



### 3048

TAMPER EVIDENT (3 gal.)

Pail 61953

Lid 63300 (Snap-on)

CAPACITY		PACKAGING	
litres	US gal.	qty/BDL	qty/PLT
		270	540
		qty/CTN	qty/PLT
11.20	2.97	120	2,160



### 3248

TAMPER EVIDENT (3.4 gal.)

Pail 61991

Lid 63300 (Snap-on)

CAPACITY		PACKAGING	
litres	US gal.	qty/BDL	qty/PLT
		300	600
		qty/CTN	qty/PLT
12.80	3.40	120	2,160





## Tamper Evident INDUSTRIAL 48 SERIES

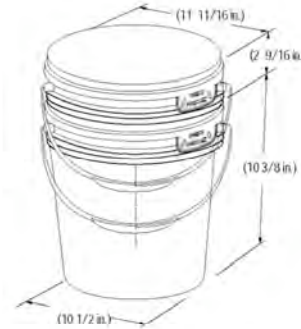
### 3548

TAMPER EVIDENT (3.5 gal.)

Pail 61955

Lid 60337 (Snap-on)

CAPACITY		PACKAGING	
litres	US gal.	qty/BDL	qty/PLT
		168	336
		qty/CTN	qty/PLT
14.22	3.76	96	1,728



### 4048

TAMPER EVIDENT (4 gal.)

Pail 61961

Lid 60337 (Snap-on)

CAPACITY		PACKAGING	
litres	US gal.	qty/BDL	qty/PLT
		168	336
		qty/CTN	qty/PLT
16.30	4.00	96	1,728



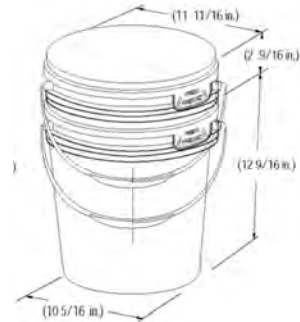
### 4348

TAMPER EVIDENT (4.25 gal.)

Pail 61956

Lid 60337 (Snap-on)

CAPACITY		PACKAGING	
litres	US gal.	qty/BDL	qty/PLT
		156	312
		qty/CTN	qty/PLT
17.24	4.55	96	1,728



### 4548

TAMPER EVIDENT (5 gal.SH)

Pail 61963

Lid 60337 (Snap-on)

CAPACITY		PACKAGING	
litres	gal. US	qty/BDL	qty/PLT
		156	312
		qty/CTN	qty/PLT
18.55	4.90	96	1,728





Industries Émile Lachance Inc.  
424, route 279  
Saint-Damien (Québec)  
Canada G0R 2Y0

# LACHANCE

## Tamper Evident INDUSTRIAL 48 SERIES

### 5048

TAMPER EVIDENT (5 gal.)

**Pail 61948**

**Lid 60337** (Snap-on)

CAPACITY		PACKAGING	
litres	US gal.	qty/BDL	qty/PLT
		156	312
		qty/CTN	qty/PLT
19.90	5.25	96	1,728

